

## 16-BIT TO 8-BIT MULTIPLEXER/DEMULTIPLEXER GIGABIT ETHERNET LAN SWITCH WITH POWER DOWN MODE

Check for Samples: [TS3L501E](#)

### FEATURES

- **Integrated Power Down Mode**
- **Wide Bandwidth (BW = 600 MHz Typ)**
- **Low Crosstalk ( $X_{TALK} = -37$  dB Typ @ 250 MHz)**
- **Low Bit-to-Bit Skew ( $t_{sk(o)} = 100$  ps Max)**
- **Low and Flat ON-State Resistance ( $r_{on} = 4$   $\Omega$  Typ,  $r_{on(Flat)} = 0.5$   $\Omega$  Typ)**
- **Low Input/Output Capacitance ( $C_{ON} = 9$  pF Typ)**
- **Rail-to-Rail Switching on Data I/O Ports (0 to 3.6 V)**
- **$V_{CC}$  Operating Range From 3 V to 3.6 V**
- **Support Power Down Mode**
- **Latch-Up Performance Exceeds 100 mA Per JESD 78, Class II**
- **ESD Performance (A, B, C, LED pins)**
  - $\pm 4$ -kV IEC61000-4-2, Contact Discharge
  - 6-kV Human Body Model Per JESD22-A114E (Switch I/O pins to GND)
- **ESD Performance (All pins)**
  - 2-kV Human Body Model Per JESD22-A114E

### APPLICATIONS

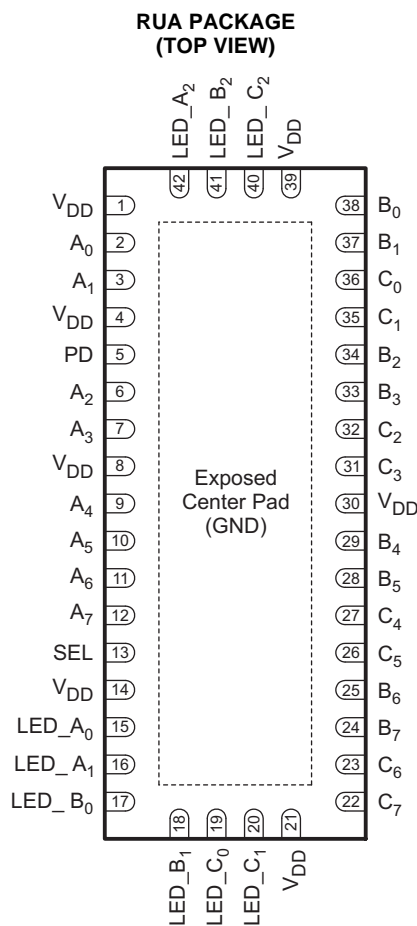
- **10/100/1000 Base-T Signal Switching**
- **Differential (LVDS, LVPECL) Signal Switching**
- **Audio/Video Switching**
- **Hub and Router Signal Switching**

### DESCRIPTION/ORDERING INFORMATION

The TS3L501E is a 16-bit to 8-bit multiplexer/demultiplexer LAN switch with a single select (SEL) input and Power down Mode input. The device provides additional I/Os for switching status indicating LED signals and includes high ESD protection. SEL input controls the data path of the multiplexer/demultiplexer. Power down input can put the device into the standby mode for minimizing current consumption per mode selection.

The device provides a low and flat ON-state resistance ( $R_{on}$ ) and an excellent ON-state resistance match. Low input/output capacitance, high bandwidth, low skew, and low crosstalk among channels make this device suitable for various LAN applications, such as 10/100/1000 Base-T. This device can be used to replace mechanical relays in LAN applications. It also can be used to route signals from a 10/100 Base-T Ethernet transceiver to the RJ-45 LAN connectors in laptops or in docking stations.

It is characterized for operation over the free-air temperature range of  $-40^{\circ}\text{C}$  to  $85^{\circ}\text{C}$ .



The exposed center pad must be connected to GND.



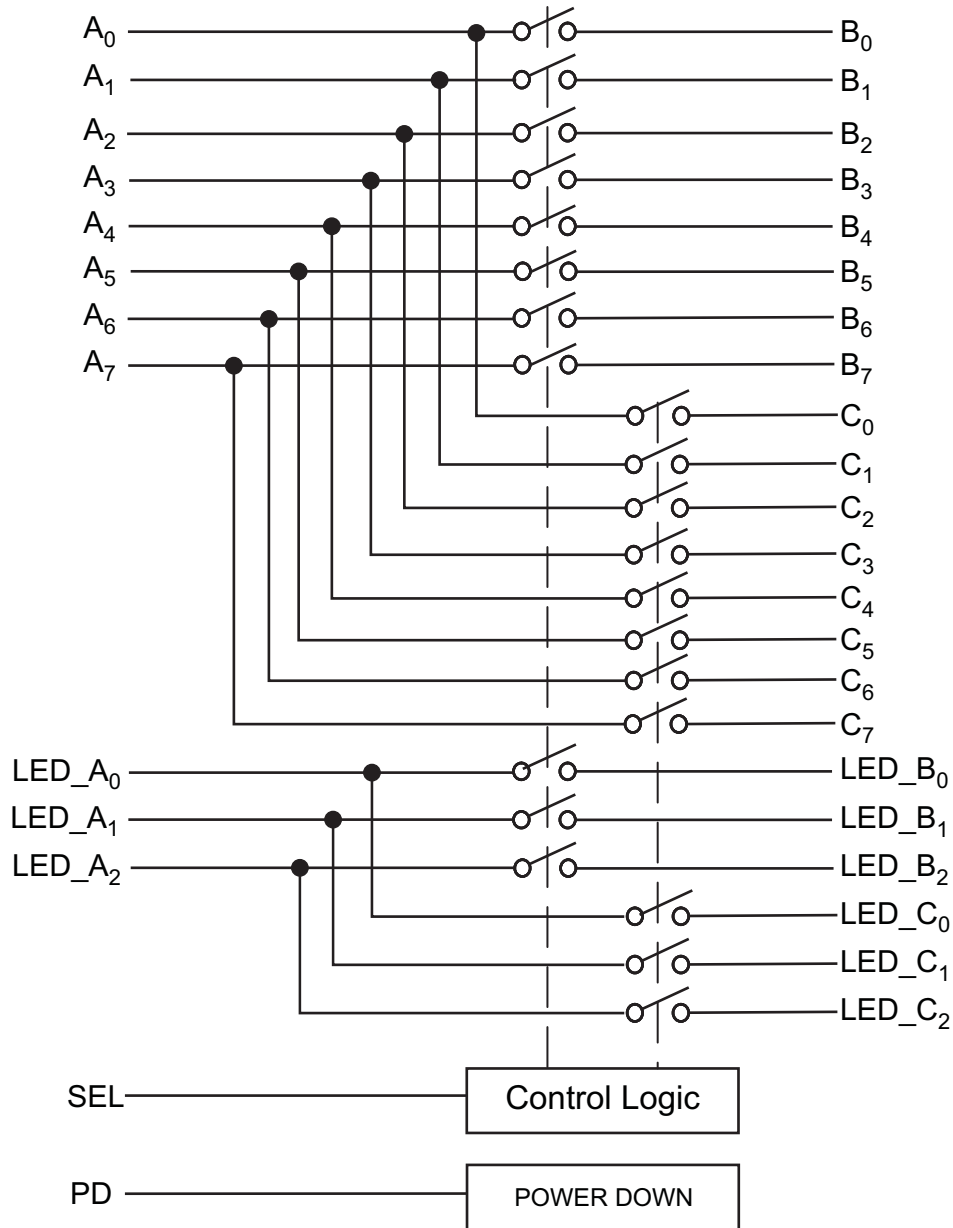
Please be aware that an important notice concerning availability, standard warranty, and use in critical applications of Texas Instruments semiconductor products and disclaimers thereto appears at the end of this data sheet.

**Table 1. ORDERING INFORMATION**

T <sub>A</sub>	PACKAGE <sup>(1), (2)</sup>		ORDERABLE PART NUMBER	TOP-SIDE MARKING
–40°C to 85°C	TQFN – RUA	Tape and reel	TS3L501ERUAR	TK501E

- (1) Package drawings, thermal data, and symbolization are available at [www.ti.com/packaging](http://www.ti.com/packaging).
- (2) For the most current package and ordering information, see the Package Option Addendum at the end of this document, or see the TI website at [www.ti.com](http://www.ti.com).

**LOGIC DIAGRAM (POSITIVE LOGIC)**



**FUNCTION TABLE**

PD	SEL	FUNCTION
L	L	A <sub>n</sub> to B <sub>n</sub> , LED_A <sub>n</sub> to LED_B <sub>n</sub>
L	H	A <sub>n</sub> to C <sub>n</sub> , LED_A <sub>n</sub> to LED_C <sub>n</sub>
H	X	Hi-Z

**PIN DESCRIPTION**

NAME	DESCRIPTION
A <sub>n</sub>	Port A DeMux I/O
B <sub>n</sub> , C <sub>n</sub>	Port B, C Mux I/O
LED_A <sub>n</sub> , LED_B <sub>n</sub> , LED_C <sub>n</sub>	LED Mux I/O
SEL	Select Input
PD	Power Down Input, Active High
GND	Ground
V <sub>DD</sub>	Power

**ABSOLUTE MAXIMUM RATINGS<sup>(1)</sup>**

over operating free-air temperature range (unless otherwise noted)

		MIN	MAX	UNIT
V <sub>DD</sub>	Supply voltage range	-0.5	4.6	V
V <sub>IN</sub>	Control input voltage range <sup>(2) (3)</sup>	-0.5	7	V
V <sub>I/O</sub>	Switch I/O voltage range <sup>(2) (3) (4)</sup>	-0.5	7	V
I <sub>IK</sub>	Control input clamp current		-50	mA
I <sub>I/OK</sub>	I/O port clamp current		-50	mA
I <sub>I/O</sub>	ON-state switch current <sup>(5)</sup>		±128	mA
	Continuous current through V <sub>DD</sub> or GND		±100	mA
θ <sub>JA</sub>	Package thermal impedance <sup>(6)</sup>		51.2	°C/W
T <sub>stg</sub>	Storage temperature range	-65	150	°C

- (1) Stresses beyond those listed under "absolute maximum ratings" may cause permanent damage to the device. These are stress ratings only, and functional operation of the device at these or any other conditions beyond those indicated under "recommended operating conditions" is not implied. Exposure to absolute-maximum-rated conditions for extended periods may affect device reliability.
- (2) All voltages are with respect to ground, unless otherwise specified.
- (3) The input and output voltage ratings may be exceeded if the input and output clamp-current ratings are observed.
- (4) V<sub>I</sub> and V<sub>O</sub> are used to denote specific conditions for V<sub>I/O</sub>.
- (5) I<sub>I</sub> and I<sub>O</sub> are used to denote specific conditions for I<sub>I/O</sub>.
- (6) The package thermal impedance is calculated in accordance with JESD 51-7.

**RECOMMENDED OPERATING CONDITIONS<sup>(1)</sup>**

		MIN	MAX	UNIT
V <sub>DD</sub>	Supply voltage	3	3.6	V
V <sub>IH</sub>	High-level control input voltage (SEL)	2	5.5	V
V <sub>IL</sub>	Low-level control input voltage (SEL)	0	0.8	V
V <sub>IN</sub>	Input voltage (SEL)	0	5.5	V
V <sub>I/O</sub>	Input/output voltage	0	V <sub>DD</sub>	V
T <sub>A</sub>	Operating free-air temperature	-40	85	°C

- (1) All unused control inputs of the device must be held at V<sub>DD</sub> or GND to ensure proper device operation. Refer to the TI application report, *Implications of Slow or Floating CMOS Inputs*, literature number [SCBA004](#).

## ELECTRICAL CHARACTERISTICS

for 1000 Base-T Ethernet switching over recommended operating free-air temperature range,  $V_{DD} = 3.3 \text{ V} \pm 0.3 \text{ V}$   
(unless otherwise noted)

PARAMETER		TEST CONDITIONS <sup>(1)</sup>		MIN	TYP <sup>(2)</sup>	MAX	UNIT
$V_{IK}$	SEL, PD	$V_{DD} = 3.6 \text{ V}$ ,	$I_{IN} = -18 \text{ mA}$	-0.7	-1.2		V
$I_{IH}$	SEL, PD	$V_{DD} = 3.6 \text{ V}$ ,	$V_{IN} = V_{DD}$			$\pm 2$	$\mu\text{A}$
$I_{IL}$	SEL, PD	$V_{DD} = 3.6 \text{ V}$ ,	$V_{IN} = \text{GND}$			$\pm 1$	$\mu\text{A}$
$I_{OFF}$	SEL, PD	$V_{DD} = 0 \text{ V}$ ,	$V_{IN} = 0 \text{ to } 3.6 \text{ V}$			$\pm 1$	$\mu\text{A}$
$I_{CC}$		$V_{DD} = 3.6 \text{ V}$ ,	$I_{I/O} = 0$ ,		250	600	$\mu\text{A}$
			Switch ON or OFF				
$I_{CC\_PD}$		$V_{DD} = 3.6 \text{ V}$ ,	$V_{IN} = 3.6 \text{ V}$ ,		1		
			PD = High				
$C_{IN}$	SEL, PD	$f = 1 \text{ MHz}$ ,	$V_{IN} = 0$		2.6	3.0	pF
$C_{OFF}$	B or C port	$V_I = 0$ ,	$f = 1 \text{ MHz}$ ,		3	4	pF
			Outputs open,				
			Switch OFF				
$C_{ON}$		$V_I = 0$ ,	$f = 1 \text{ MHz}$ ,		9	9.8	pF
			Outputs open,				
			Switch ON				
$r_{on}$		$V_{DD} = 3 \text{ V}$ ,	$1.5 \text{ V} \leq V_I \leq V_{DD}$ ,		4	8	$\Omega$
			$I_O = -40 \text{ mA}$				
$r_{on(\text{flat})}$ <sup>(3)</sup>		$V_{DD} = 3 \text{ V}$ ,	$V_I = 1.5 \text{ V}$ and $V_{DD}$ ,		0.7		$\Omega$
			$I_O = -40 \text{ mA}$				
$\Delta r_{on}$ <sup>(4)</sup>		$V_{DD} = 3 \text{ V}$ ,	$1.5 \text{ V} \leq V_I \leq V_{DD}$ ,		0.8	1.5	$\Omega$
			$I_O = -40 \text{ mA}$				

- (1)  $V_I$ ,  $V_O$ ,  $I_I$ , and  $I_O$  refer to I/O pins.  $V_{IN}$  refers to the control inputs.  
(2) All typical values are at  $V_{DD} = 3.3 \text{ V}$  (unless otherwise noted),  $T_A = 25^\circ\text{C}$ .  
(3)  $r_{on(\text{flat})}$  is the difference of  $r_{on}$  in a given channel at specified voltages.  
(4)  $\Delta r_{on}$  is the difference of  $r_{on}$  from center ( $A_4$ ,  $A_5$ ) ports to any other port.

## ELECTRICAL CHARACTERISTICS

for 10/100 Base-T Ethernet switching over recommended operating free-air temperature range,  $V_{DD} = 3.3 \text{ V} \pm 0.3 \text{ V}$   
(unless otherwise noted)

PARAMETER		TEST CONDITIONS <sup>(1)</sup>		MIN	TYP <sup>(2)</sup>	MAX	UNIT
$V_{IK}$	SEL, PD	$V_{DD} = 3.6 \text{ V}$ ,	$I_{IN} = -18 \text{ mA}$	-0.7	-1.2		V
$I_{IH}$	SEL, PD	$V_{DD} = 3.6 \text{ V}$ ,	$V_{IN} = V_{DD}$			$\pm 2$	$\mu\text{A}$
$I_{IL}$	SEL, PD	$V_{DD} = 3.6 \text{ V}$ ,	$V_{IN} = \text{GND}$			$\pm 1$	$\mu\text{A}$
$I_{OFF}$	SEL, PD	$V_{DD} = 0 \text{ V}$ ,	$V_{IN} = 0 \text{ to } 3.6 \text{ V}$			$\pm 1$	$\mu\text{A}$
$I_{CC}$		$V_{DD} = 3.6 \text{ V}$ ,	$I_{I/O} = 0$ ,		250	600	$\mu\text{A}$
			Switch ON or OFF				
$I_{CC\_PD}$		$V_{DD} = 3.6 \text{ V}$ ,	$V_{IN} = 3.6 \text{ V}$ ,		1		
			PD = High				
$C_{IN}$	SEL, PD	$f = 1 \text{ MHz}$ ,	$V_{IN} = 0$		2.6	3.0	pF
$C_{OFF}$	B or C port	$V_I = 0$ ,	$f = 10 \text{ MHz}$ ,		3	4	pF
			Outputs open,				
			Switch OFF				
$C_{ON}$		$V_I = 0$ ,	$f = 10 \text{ MHz}$ ,		9	9.8	pF
			Outputs open,				
			Switch ON				
$r_{on}$		$V_{DD} = 3 \text{ V}$ ,	$1.25 \text{ V} \leq V_I \leq V_{DD}$ ,		4	6	$\Omega$
			$I_O = -10 \text{ mA to } -30 \text{ mA}$				
$r_{on(\text{flat})}$ <sup>(3)</sup>		$V_{DD} = 3 \text{ V}$ ,	$V_I = 1.25 \text{ V}$ and $V_{DD}$ ,		0.5		$\Omega$
			$I_O = -10 \text{ mA to } -30 \text{ mA}$				
$\Delta r_{on}$ <sup>(4)</sup>		$V_{DD} = 3 \text{ V}$ ,	$1.25 \text{ V} \leq V_I \leq V_{DD}$ ,		0.8	1.5	$\Omega$
			$I_O = -10 \text{ mA to } -30 \text{ mA}$				

- (1)  $V_I$ ,  $V_O$ ,  $I_I$ , and  $I_O$  refer to I/O pins.  $V_{IN}$  refers to the control inputs.  
(2) All typical values are at  $V_{DD} = 3.3 \text{ V}$  (unless otherwise noted),  $T_A = 25^\circ\text{C}$ .  
(3)  $r_{on(\text{flat})}$  is the difference of  $r_{on}$  in a given channel at specified voltages.  
(4)  $\Delta r_{on}$  is the difference of  $r_{on}$  from center ( $A_4$ ,  $A_5$ ) ports to any other port.

## SWITCHING CHARACTERISTICS

over recommended operating free-air temperature range,  $V_{DD} = 3.3\text{ V} \pm 0.3\text{ V}$ ,  $R_L = 200\ \Omega$ ,  $C_L = 10\text{ pF}$   
(unless otherwise noted) (see [Figure 5](#) and [Figure 6](#))

PARAMETER	FROM (INPUT)	TO (OUTPUT)	MIN	TYP <sup>(1)</sup>	MAX	UNIT
$t_{pd}$ <sup>(2)</sup>	A or B/C	B/C or A		0.3		ns
$t_{PZH}$ , $t_{PZL}$	SEL	A or B/C	0.5		15	ns
$t_{PHZ}$ , $t_{PLZ}$	SEL	A or B/C	0.9		9	ns
$t_{sk(o)}$ <sup>(3)</sup>	A or B/C	B/C or A		50	100	ps
$t_{sk(p)}$ <sup>(4)</sup>	A or B/C	B/C or A		50	100	ps
$t_{ON}/t_{OFF}$ <sup>(5)</sup>	PD	A or B/C			250	ns

- (1) All typical values are at  $V_{DD} = 3.3\text{ V}$  (unless otherwise noted),  $T_A = 25^\circ\text{C}$ .
- (2) The propagation delay is the calculated RC time constant of the typical ON-state resistance of the switch and the specified load capacitance when driven by an ideal voltage source (zero output impedance).
- (3) Output skew between center port ( $A_4$  to  $A_5$ ) to any other port
- (4) Skew between opposite transitions of the same output in a given device  $|t_{PHL} - t_{PLH}|$
- (5) Device enable/disable time from PD

## DYNAMIC CHARACTERISTICS

over recommended operating free-air temperature range,  $V_{DD} = 3.3\text{ V} \pm 0.3\text{ V}$  (unless otherwise noted)

PARAMETER	TEST CONDITIONS			TYP <sup>(1)</sup>	UNIT
$X_{TALK}$	$R_L = 50\ \Omega$ ,	$f = 250\text{ MHz}$ ,	See <a href="#">Figure 8</a>	-37	dB
$O_{IRR}$	$R_L = 50\ \Omega$ ,	$f = 250\text{ MHz}$ ,	See <a href="#">Figure 9</a>	-37	dB
BW	See <a href="#">Figure 7</a>			600	MHz

- (1) All typical values are at  $V_{CC} = 3.3\text{ V}$  (unless otherwise noted),  $T_A = 25^\circ\text{C}$ .

**OPERATING CHARACTERISTICS**

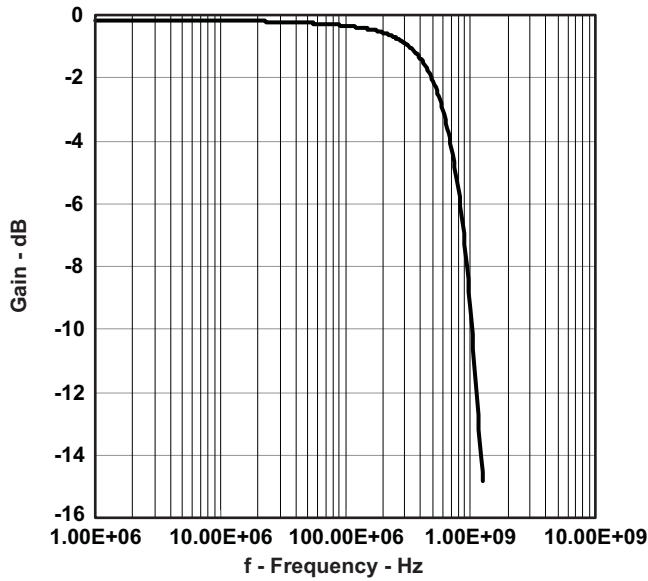


Figure 1. Gain vs Frequency

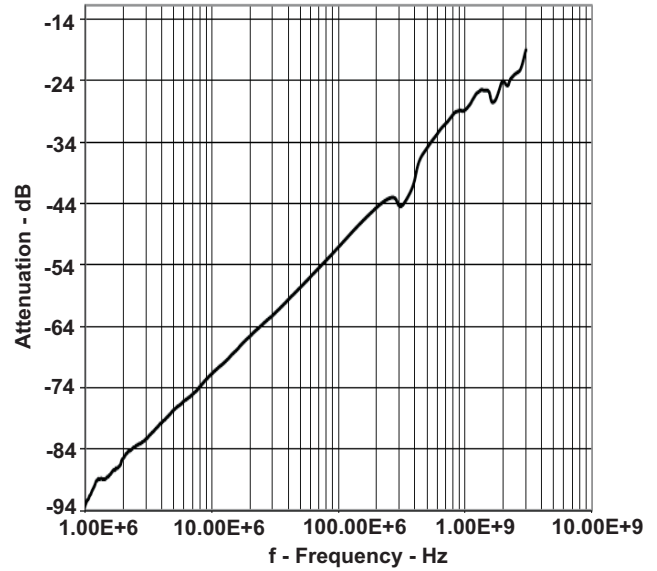


Figure 2. OFF Isolation vs Frequency

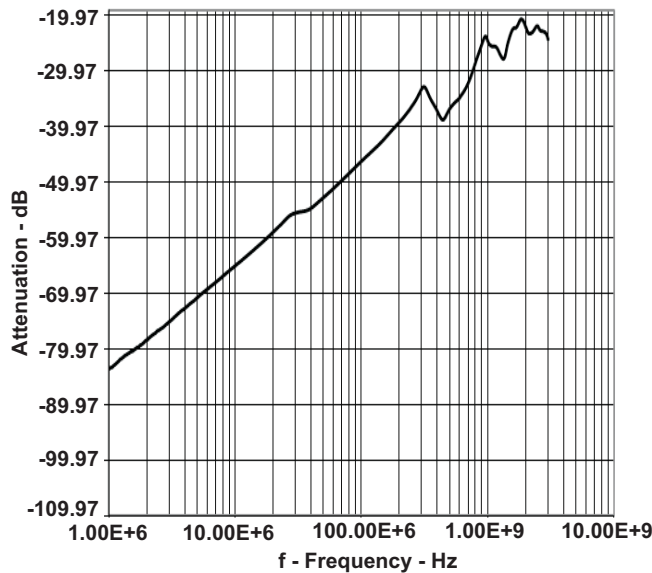


Figure 3. Crosstalk vs Frequency

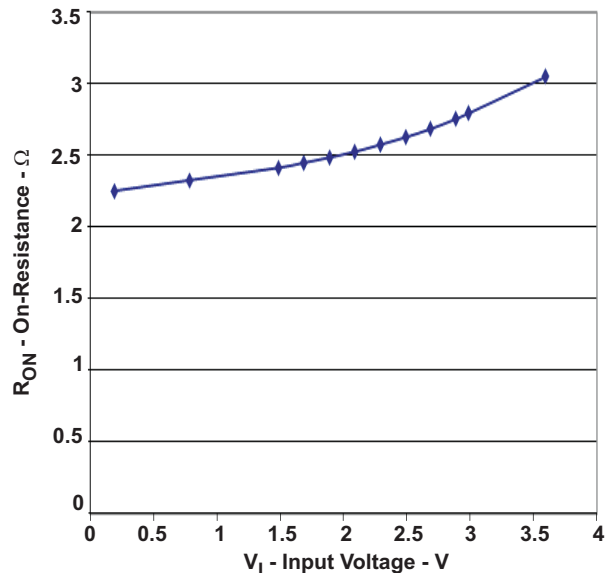
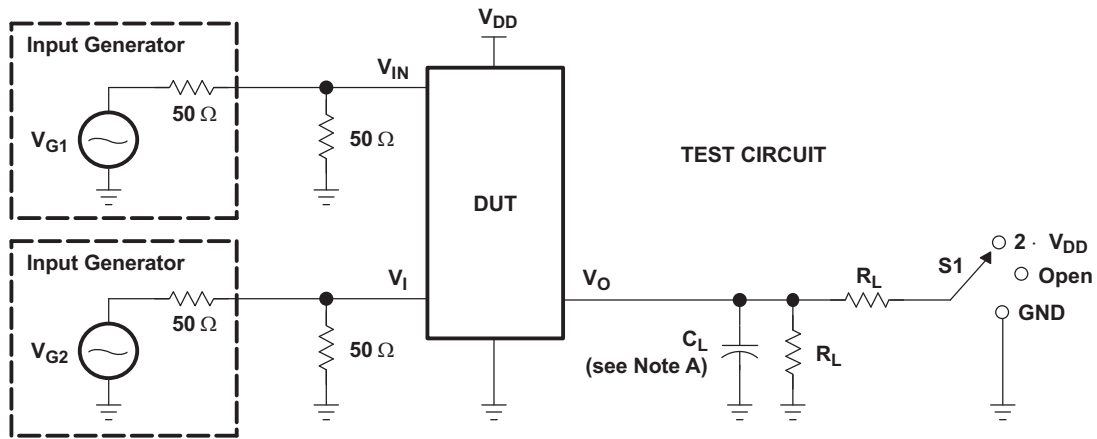
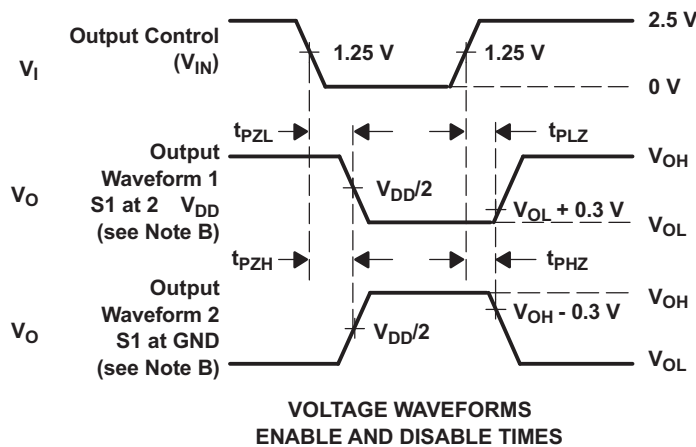


Figure 4.  $r_{on}$  ( $\Omega$ ) vs  $V_{com}$  (V)

**PARAMETER MEASUREMENT INFORMATION  
(Enable and Disable Times)**



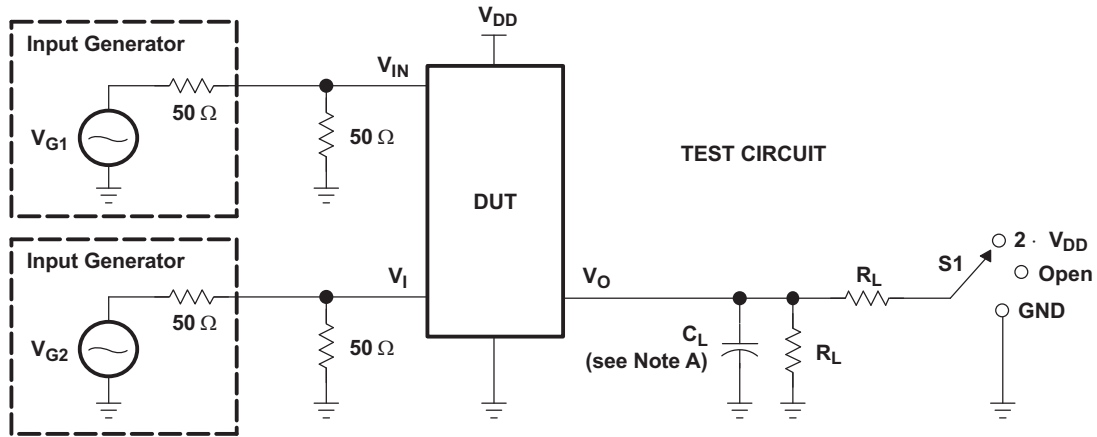
TEST	V <sub>DD</sub>	S1	R <sub>L</sub>	V <sub>in</sub>	C <sub>L</sub>	V <sub>Δ</sub>
t <sub>P LZ</sub> /t <sub>P ZL</sub>	3.3 V	2 · V <sub>DD</sub>	200 Ω	GND	10 pF	0.3 V
t <sub>P HZ</sub> /t <sub>P ZH</sub>	3.3 V	GND	200 Ω	V <sub>DD</sub>	10 pF	0.3 V



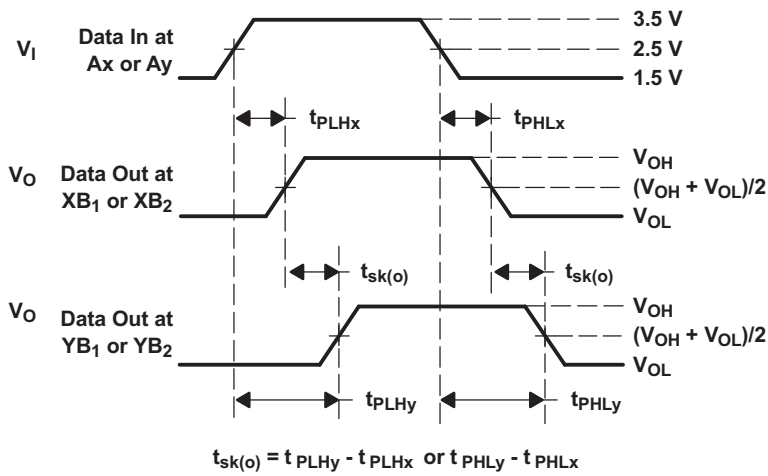
- NOTES: A. C<sub>L</sub> includes probe and jig capacitance.  
 B. Waveform 1 is for an output with internal conditions such that the output is low except when disabled by the output control. Waveform 2 is for an output with internal conditions such that the output is high, except when disabled by the output control.  
 C. All input pulses are supplied by generators having the following characteristics: PRR ≤ 10 MHz, Z<sub>O</sub> = 50 Ω, t<sub>r</sub> ≤ 2.5 ns, t<sub>f</sub> ≤ 2.5 ns.  
 D. The outputs are measured one at a time, with one transition per measurement.  
 E. t<sub>P LZ</sub> and t<sub>P HZ</sub> are the same as t<sub>dis</sub>.  
 F. t<sub>P ZL</sub> and t<sub>P ZH</sub> are the same as t<sub>en</sub>.

**Figure 5. Test Circuit and Voltage Waveforms**

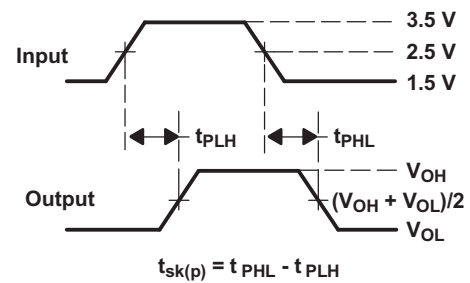
### PARAMETER MEASUREMENT INFORMATION (Skew)



TEST	V <sub>DD</sub>	S1	R <sub>L</sub>	V <sub>in</sub>	C <sub>L</sub>
t <sub>sk(o)</sub>	3.3 V ± 0.3 V	Open	200 Ω	V <sub>DD</sub> or GND	10 pF
t <sub>sk(p)</sub>	3.3 V ± 0.3 V	Open	200 Ω	V <sub>DD</sub> or GND	10 pF



**VOLTAGE WAVEFORMS  
OUTPUT SKEW (t<sub>sk(o)</sub>)**



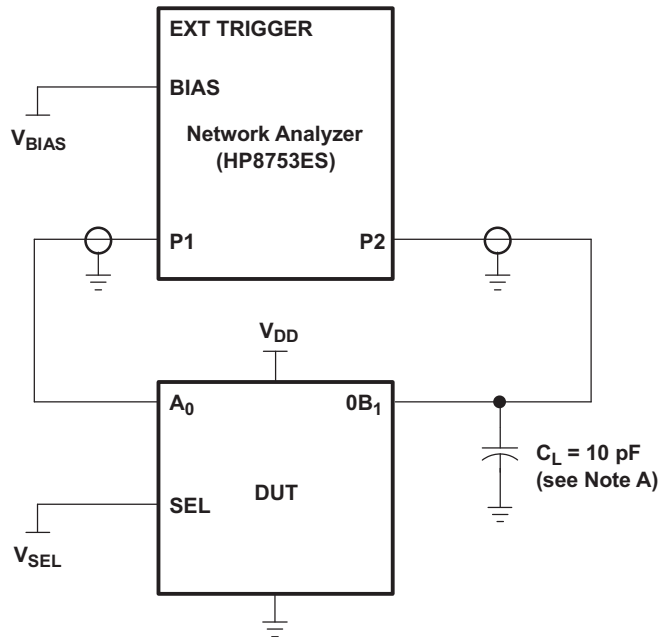
**VOLTAGE WAVEFORMS  
PULSE SKEW [t<sub>sk(p)</sub>]**

- NOTES: A. C<sub>L</sub> includes probe and jig capacitance.  
 B. Waveform 1 is for an output with internal conditions such that the output is low except when disabled by the output control. Waveform 2 is for an output with internal conditions such that the output is high, except when disabled by the output control.  
 C. All input pulses are supplied by generators having the following characteristics: PRR ≤ 10 MHz, Z<sub>O</sub> = 50 Ω, t<sub>r</sub> ≤ 2.5 ns, t<sub>f</sub> ≤ 2.5 ns.  
 D. The outputs are measured one at a time, with one transition per measurement.

**Figure 6. Test Circuit and Voltage Waveforms**



PARAMETER MEASUREMENT INFORMATION



A.  $C_L$  includes probe and jig capacitance.

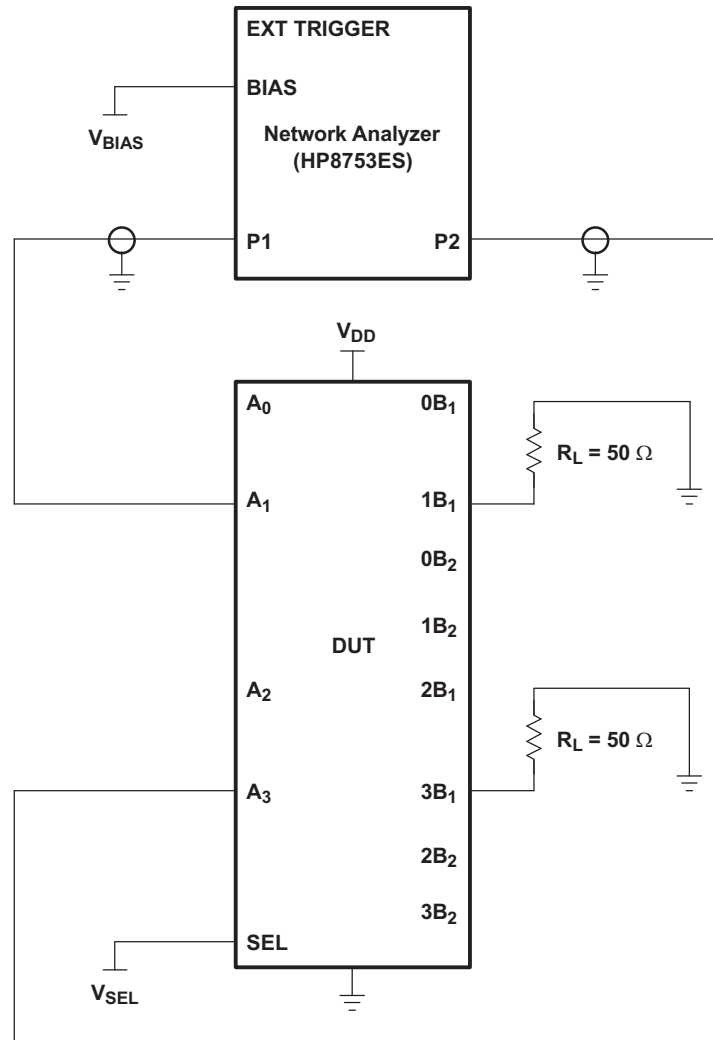
Figure 7. Test Circuit for Frequency Response (BW)

Frequency response is measured at the output of the ON channel. For example, when  $V_{SEL} = 0$  and  $A_0$  is the input, the output is measured at  $0B_1$ . All unused analog I/O ports are left open.

HP8753ES Setup

Average = 4  
 RBW = 3 kHz  
 $V_{BIAS} = 0.35 \text{ V}$   
 ST = 2 s  
 P1 = 0 dBm

## PARAMETER MEASUREMENT INFORMATION (continued)



- A.  $C_L$  includes probe and jig capacitance.
- B. A 50- $\Omega$  termination resistor is needed to match the loading of the network analyzer.

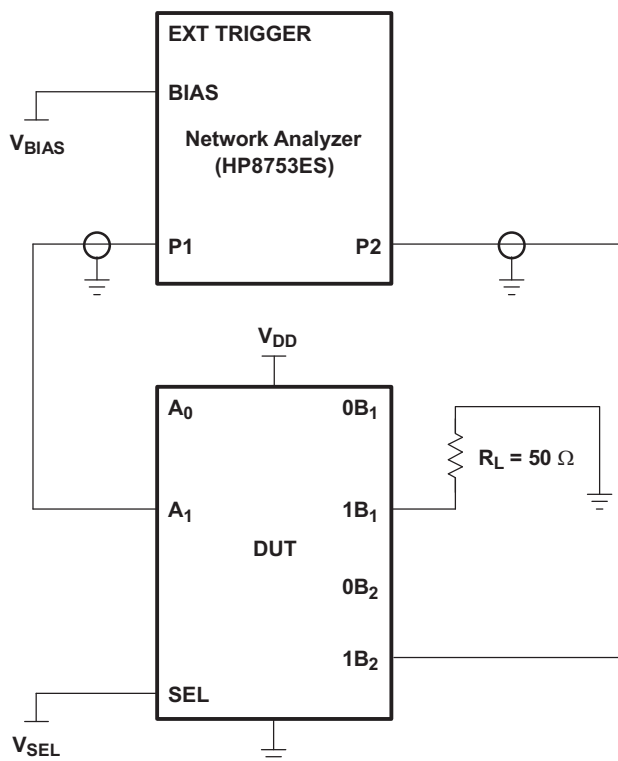
**Figure 8. Test Circuit for Crosstalk ( $X_{TALK}$ )**

Crosstalk is measured at the output of the nonadjacent ON channel. For example, when  $V_{SEL} = 0$  and  $A_1$  is the input, the output is measured at  $A_3$ . All unused analog input (A) ports are connected to GND, and output (B) ports are left open.

### HP8753ES Setup

Average = 4  
 RBW = 3 kHz  
 $V_{BIAS} = 0.35$  V  
 ST = 2 s  
 P1 = 0 dBm

PARAMETER MEASUREMENT INFORMATION (continued)



- A.  $C_L$  includes probe and jig capacitance.
- B. A 50- $\Omega$  termination resistor is needed to match the loading of the network analyzer.

**Figure 9. Test Circuit for OFF Isolation ( $O_{IRR}$ )**

OFF isolation is measured at the output of the OFF channel. For example, when  $V_{SEL} = GND$  and  $A_1$  is the input, the output is measured at  $1B_2$ . All unused analog input (A) ports are connected to ground, and output (B) ports are left open.

**HP8753ES Setup**

Average = 4  
 RBW = 3 kHz  
 $V_{BIAS} = 0.35\text{ V}$   
 ST = 2 s  
 P1 = 0 dBm

**PACKAGING INFORMATION**

Orderable Device	Status (1)	Package Type	Package Drawing	Pins	Package Qty	Eco Plan (2)	Lead/Ball Finish (6)	MSL Peak Temp (3)	Op Temp (°C)	Device Marking (4/5)	Samples
TS3L501ERUAR	ACTIVE	WQFN	RUA	42	3000	Green (RoHS & no Sb/Br)	CU NIPDAU   CU NIPDAUAG	Level-2-260C-1 YEAR	-40 to 85	TK501E	<b>Samples</b>

(1) The marketing status values are defined as follows:

**ACTIVE:** Product device recommended for new designs.

**LIFEBUY:** TI has announced that the device will be discontinued, and a lifetime-buy period is in effect.

**NRND:** Not recommended for new designs. Device is in production to support existing customers, but TI does not recommend using this part in a new design.

**PREVIEW:** Device has been announced but is not in production. Samples may or may not be available.

**OBSOLETE:** TI has discontinued the production of the device.

(2) Eco Plan - The planned eco-friendly classification: Pb-Free (RoHS), Pb-Free (RoHS Exempt), or Green (RoHS & no Sb/Br) - please check <http://www.ti.com/productcontent> for the latest availability information and additional product content details.

**TBD:** The Pb-Free/Green conversion plan has not been defined.

**Pb-Free (RoHS):** TI's terms "Lead-Free" or "Pb-Free" mean semiconductor products that are compatible with the current RoHS requirements for all 6 substances, including the requirement that lead not exceed 0.1% by weight in homogeneous materials. Where designed to be soldered at high temperatures, TI Pb-Free products are suitable for use in specified lead-free processes.

**Pb-Free (RoHS Exempt):** This component has a RoHS exemption for either 1) lead-based flip-chip solder bumps used between the die and package, or 2) lead-based die adhesive used between the die and leadframe. The component is otherwise considered Pb-Free (RoHS compatible) as defined above.

**Green (RoHS & no Sb/Br):** TI defines "Green" to mean Pb-Free (RoHS compatible), and free of Bromine (Br) and Antimony (Sb) based flame retardants (Br or Sb do not exceed 0.1% by weight in homogeneous material)

(3) MSL, Peak Temp. - The Moisture Sensitivity Level rating according to the JEDEC industry standard classifications, and peak solder temperature.

(4) There may be additional marking, which relates to the logo, the lot trace code information, or the environmental category on the device.

(5) Multiple Device Markings will be inside parentheses. Only one Device Marking contained in parentheses and separated by a "~" will appear on a device. If a line is indented then it is a continuation of the previous line and the two combined represent the entire Device Marking for that device.

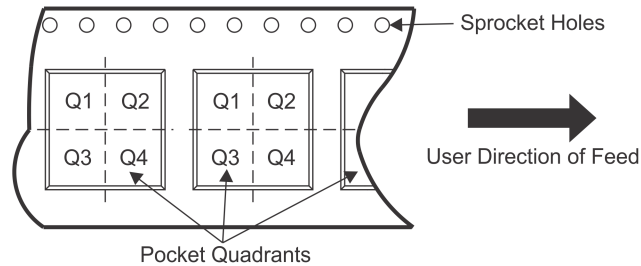
(6) Lead/Ball Finish - Orderable Devices may have multiple material finish options. Finish options are separated by a vertical ruled line. Lead/Ball Finish values may wrap to two lines if the finish value exceeds the maximum column width.

**Important Information and Disclaimer:** The information provided on this page represents TI's knowledge and belief as of the date that it is provided. TI bases its knowledge and belief on information provided by third parties, and makes no representation or warranty as to the accuracy of such information. Efforts are underway to better integrate information from third parties. TI has taken and continues to take reasonable steps to provide representative and accurate information but may not have conducted destructive testing or chemical analysis on incoming materials and chemicals. TI and TI suppliers consider certain information to be proprietary, and thus CAS numbers and other limited information may not be available for release.

In no event shall TI's liability arising out of such information exceed the total purchase price of the TI part(s) at issue in this document sold by TI to Customer on an annual basis.



**TAPE AND REEL INFORMATION**

**QUADRANT ASSIGNMENTS FOR PIN 1 ORIENTATION IN TAPE**


\*All dimensions are nominal

Device	Package Type	Package Drawing	Pins	SPQ	Reel Diameter (mm)	Reel Width W1 (mm)	A0 (mm)	B0 (mm)	K0 (mm)	P1 (mm)	W (mm)	Pin1 Quadrant
TS3L501ERUAR	WQFN	RUA	42	3000	330.0	16.4	3.8	9.3	1.0	8.0	16.0	Q1
TS3L501ERUAR	WQFN	RUA	42	3000	330.0	24.4	3.9	9.4	1.0	8.0	24.0	Q1
TS3L501ERUAR	WQFN	RUA	42	3000	330.0	16.4	3.8	9.3	1.0	8.0	16.0	Q1

## TAPE AND REEL BOX DIMENSIONS

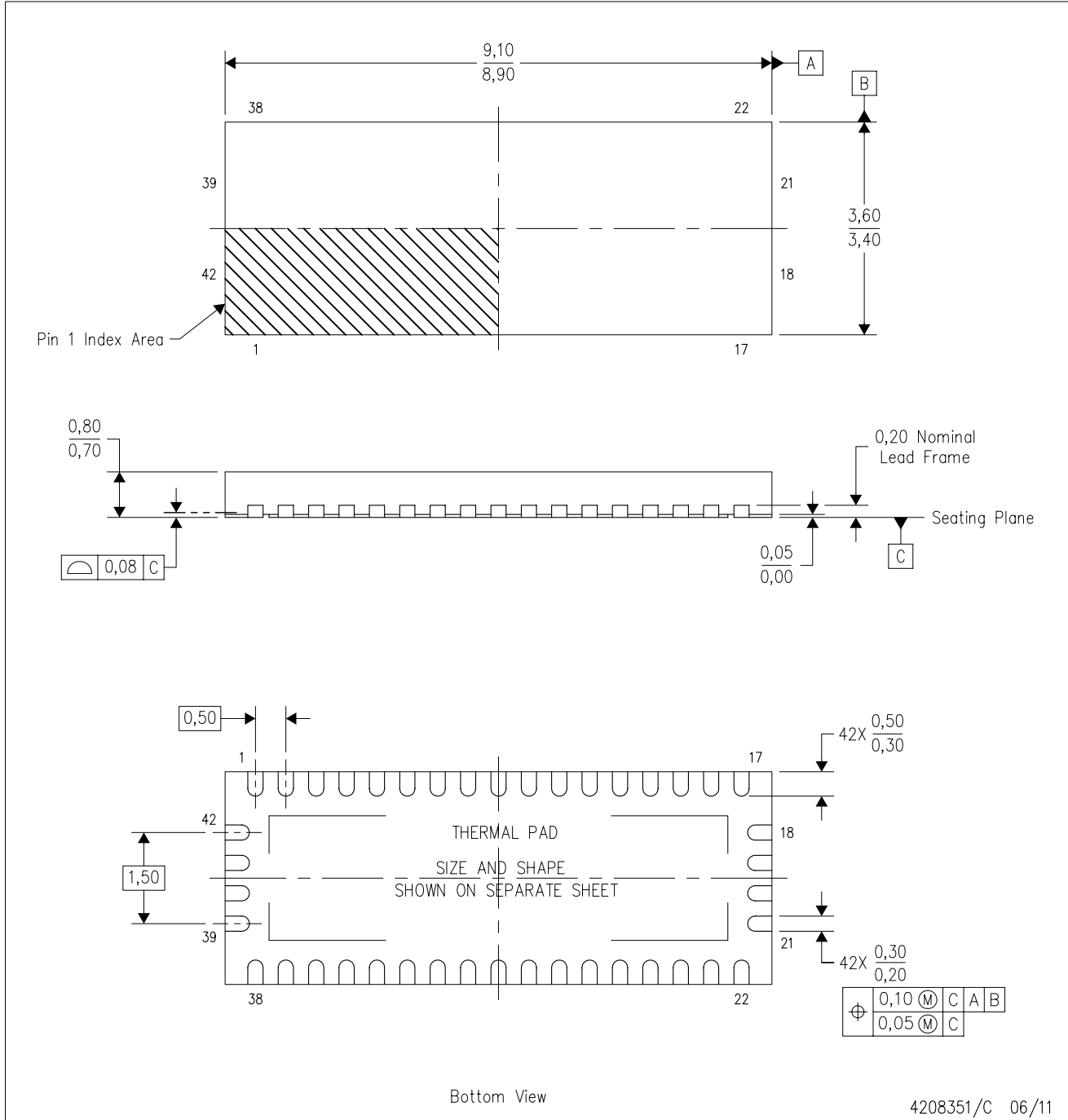


\*All dimensions are nominal

Device	Package Type	Package Drawing	Pins	SPQ	Length (mm)	Width (mm)	Height (mm)
TS3L501ERUAR	WQFN	RUA	42	3000	358.0	335.0	35.0
TS3L501ERUAR	WQFN	RUA	42	3000	346.0	346.0	35.0
TS3L501ERUAR	WQFN	RUA	42	3000	367.0	367.0	38.0

RUA (R-PWQFN-N42)

PLASTIC QUAD FLATPACK NO-LEAD



- NOTES:
- All linear dimensions are in millimeters. Dimensioning and tolerancing per ASME Y14.5M-1994.
  - This drawing is subject to change without notice.
  - QFN (Quad Flatpack No-Lead) package configuration.
  - The package thermal pad must be soldered to the board for thermal and mechanical performance.
  - See the additional figure in the Product Data Sheet for details regarding the exposed thermal pad features and dimensions.



## THERMAL PAD MECHANICAL DATA

RUA (R-PWQFN-N42)

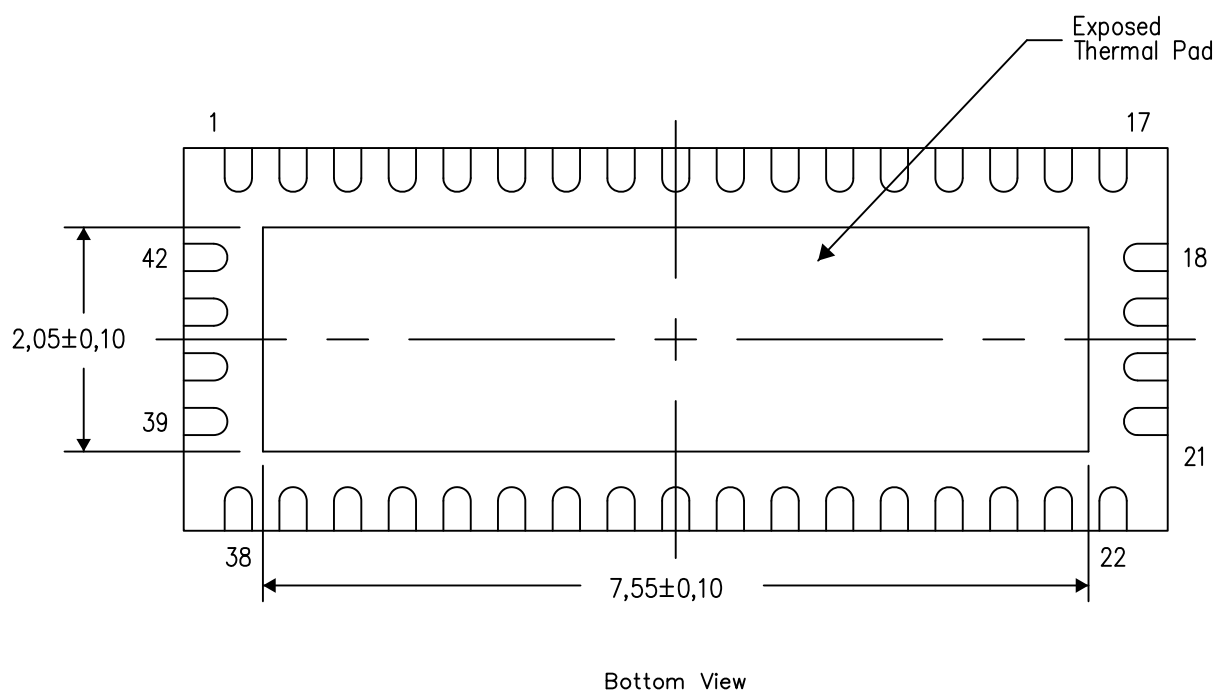
PLASTIC QUAD FLATPACK NO-LEAD

### THERMAL INFORMATION

This package incorporates an exposed thermal pad that is designed to be attached directly to an external heatsink. The thermal pad must be soldered directly to the printed circuit board (PCB). After soldering, the PCB can be used as a heatsink. In addition, through the use of thermal vias, the thermal pad can be attached directly to the appropriate copper plane shown in the electrical schematic for the device, or alternatively, can be attached to a special heatsink structure designed into the PCB. This design optimizes the heat transfer from the integrated circuit (IC).

For information on the Quad Flatpack No-Lead (QFN) package and its advantages, refer to Application Report, QFN/SON PCB Attachment, Texas Instruments Literature No. SLUA271. This document is available at [www.ti.com](http://www.ti.com).

The exposed thermal pad dimensions for this package are shown in the following illustration.



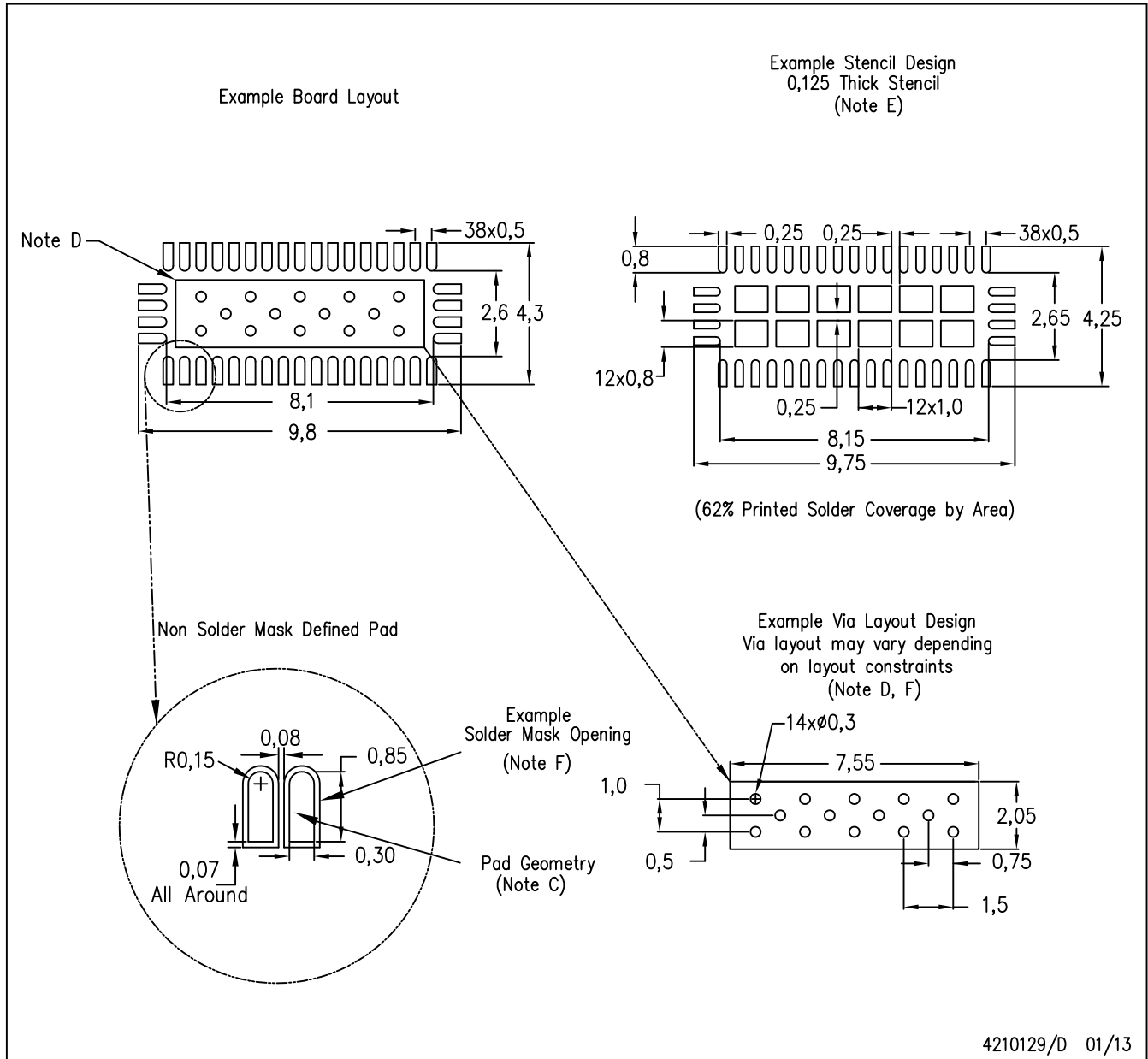
Exposed Thermal Pad Dimensions

4208352/E 01/13

NOTE: All linear dimensions are in millimeters

RUA (R-PWQFN-N42)

PLASTIC QUAD FLATPACK NO-LEAD



- NOTES:
- A. All linear dimensions are in millimeters.
  - B. This drawing is subject to change without notice.
  - C. Publication IPC-7351 is recommended for alternate designs.
  - D. This package is designed to be soldered to a thermal pad on the board. Refer to Application Note, Quad Flat-Pack Packages, Texas Instruments Literature No. SLUA271, and also the Product Data Sheets for specific thermal information, via requirements, and recommended board layout. These documents are available at [www.ti.com](http://www.ti.com) <<http://www.ti.com>>.
  - E. Laser cutting apertures with trapezoidal walls and also rounding corners will offer better paste release. Customers should contact their board assembly site for stencil design recommendations. Refer to IPC 7525 for stencil design considerations.
  - F. Customers should contact their board fabrication site for recommended solder mask tolerances and via tenting recommendations for vias placed in the thermal pad.

## IMPORTANT NOTICE

Texas Instruments Incorporated and its subsidiaries (TI) reserve the right to make corrections, enhancements, improvements and other changes to its semiconductor products and services per JESD46, latest issue, and to discontinue any product or service per JESD48, latest issue. Buyers should obtain the latest relevant information before placing orders and should verify that such information is current and complete. All semiconductor products (also referred to herein as "components") are sold subject to TI's terms and conditions of sale supplied at the time of order acknowledgment.

TI warrants performance of its components to the specifications applicable at the time of sale, in accordance with the warranty in TI's terms and conditions of sale of semiconductor products. Testing and other quality control techniques are used to the extent TI deems necessary to support this warranty. Except where mandated by applicable law, testing of all parameters of each component is not necessarily performed.

TI assumes no liability for applications assistance or the design of Buyers' products. Buyers are responsible for their products and applications using TI components. To minimize the risks associated with Buyers' products and applications, Buyers should provide adequate design and operating safeguards.

TI does not warrant or represent that any license, either express or implied, is granted under any patent right, copyright, mask work right, or other intellectual property right relating to any combination, machine, or process in which TI components or services are used. Information published by TI regarding third-party products or services does not constitute a license to use such products or services or a warranty or endorsement thereof. Use of such information may require a license from a third party under the patents or other intellectual property of the third party, or a license from TI under the patents or other intellectual property of TI.

Reproduction of significant portions of TI information in TI data books or data sheets is permissible only if reproduction is without alteration and is accompanied by all associated warranties, conditions, limitations, and notices. TI is not responsible or liable for such altered documentation. Information of third parties may be subject to additional restrictions.

Resale of TI components or services with statements different from or beyond the parameters stated by TI for that component or service voids all express and any implied warranties for the associated TI component or service and is an unfair and deceptive business practice. TI is not responsible or liable for any such statements.

Buyer acknowledges and agrees that it is solely responsible for compliance with all legal, regulatory and safety-related requirements concerning its products, and any use of TI components in its applications, notwithstanding any applications-related information or support that may be provided by TI. Buyer represents and agrees that it has all the necessary expertise to create and implement safeguards which anticipate dangerous consequences of failures, monitor failures and their consequences, lessen the likelihood of failures that might cause harm and take appropriate remedial actions. Buyer will fully indemnify TI and its representatives against any damages arising out of the use of any TI components in safety-critical applications.

In some cases, TI components may be promoted specifically to facilitate safety-related applications. With such components, TI's goal is to help enable customers to design and create their own end-product solutions that meet applicable functional safety standards and requirements. Nonetheless, such components are subject to these terms.

No TI components are authorized for use in FDA Class III (or similar life-critical medical equipment) unless authorized officers of the parties have executed a special agreement specifically governing such use.

Only those TI components which TI has specifically designated as military grade or "enhanced plastic" are designed and intended for use in military/aerospace applications or environments. Buyer acknowledges and agrees that any military or aerospace use of TI components which have **not** been so designated is solely at the Buyer's risk, and that Buyer is solely responsible for compliance with all legal and regulatory requirements in connection with such use.

TI has specifically designated certain components as meeting ISO/TS16949 requirements, mainly for automotive use. In any case of use of non-designated products, TI will not be responsible for any failure to meet ISO/TS16949.

### Products

Audio	<a href="http://www.ti.com/audio">www.ti.com/audio</a>
Amplifiers	<a href="http://amplifier.ti.com">amplifier.ti.com</a>
Data Converters	<a href="http://dataconverter.ti.com">dataconverter.ti.com</a>
DLP® Products	<a href="http://www.dlp.com">www.dlp.com</a>
DSP	<a href="http://dsp.ti.com">dsp.ti.com</a>
Clocks and Timers	<a href="http://www.ti.com/clocks">www.ti.com/clocks</a>
Interface	<a href="http://interface.ti.com">interface.ti.com</a>
Logic	<a href="http://logic.ti.com">logic.ti.com</a>
Power Mgmt	<a href="http://power.ti.com">power.ti.com</a>
Microcontrollers	<a href="http://microcontroller.ti.com">microcontroller.ti.com</a>
RFID	<a href="http://www.ti-rfid.com">www.ti-rfid.com</a>
OMAP Applications Processors	<a href="http://www.ti.com/omap">www.ti.com/omap</a>
Wireless Connectivity	<a href="http://www.ti.com/wirelessconnectivity">www.ti.com/wirelessconnectivity</a>

### Applications

Automotive and Transportation	<a href="http://www.ti.com/automotive">www.ti.com/automotive</a>
Communications and Telecom	<a href="http://www.ti.com/communications">www.ti.com/communications</a>
Computers and Peripherals	<a href="http://www.ti.com/computers">www.ti.com/computers</a>
Consumer Electronics	<a href="http://www.ti.com/consumer-apps">www.ti.com/consumer-apps</a>
Energy and Lighting	<a href="http://www.ti.com/energy">www.ti.com/energy</a>
Industrial	<a href="http://www.ti.com/industrial">www.ti.com/industrial</a>
Medical	<a href="http://www.ti.com/medical">www.ti.com/medical</a>
Security	<a href="http://www.ti.com/security">www.ti.com/security</a>
Space, Avionics and Defense	<a href="http://www.ti.com/space-avionics-defense">www.ti.com/space-avionics-defense</a>
Video and Imaging	<a href="http://www.ti.com/video">www.ti.com/video</a>

### TI E2E Community

[e2e.ti.com](http://e2e.ti.com)